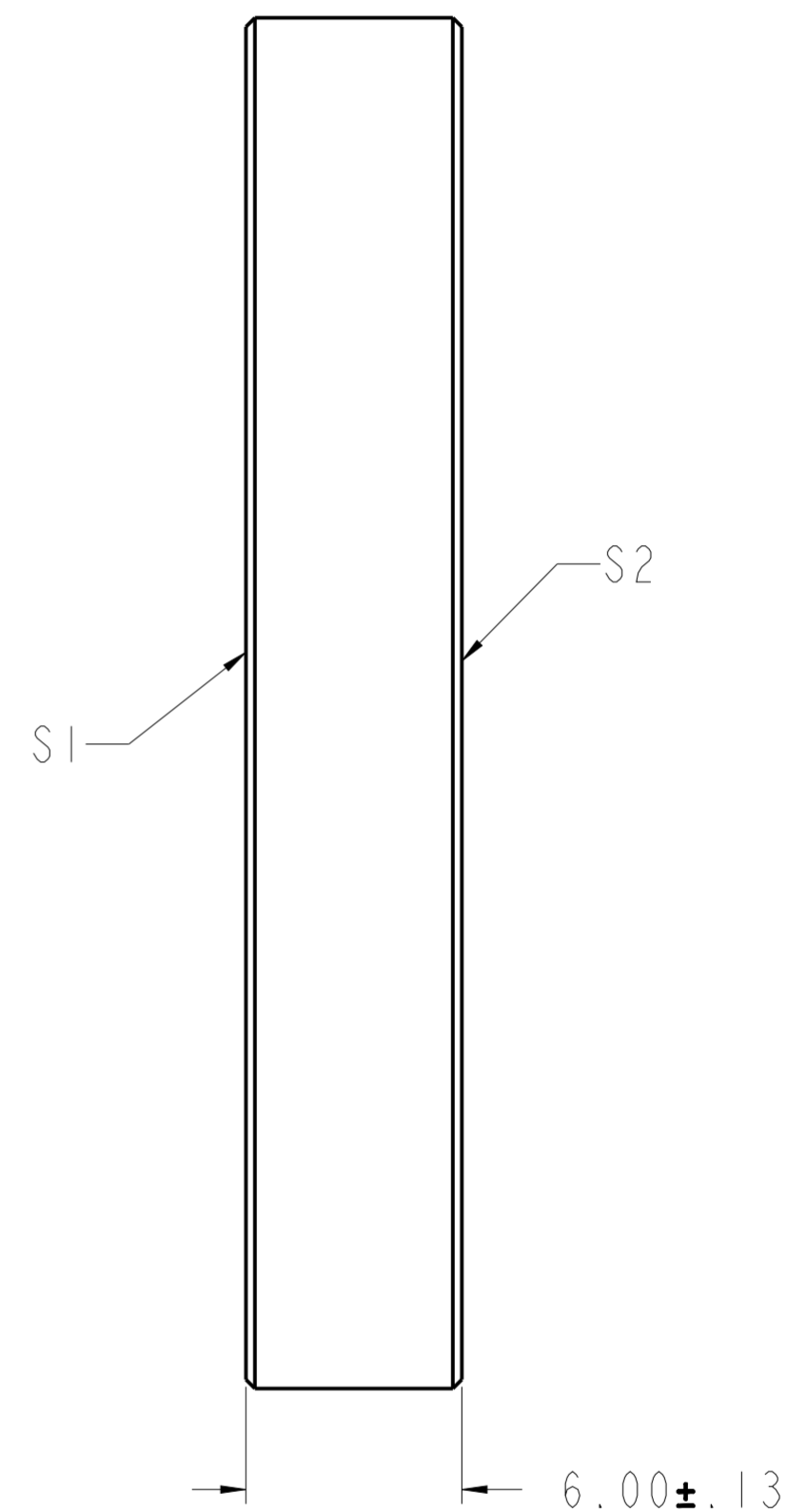
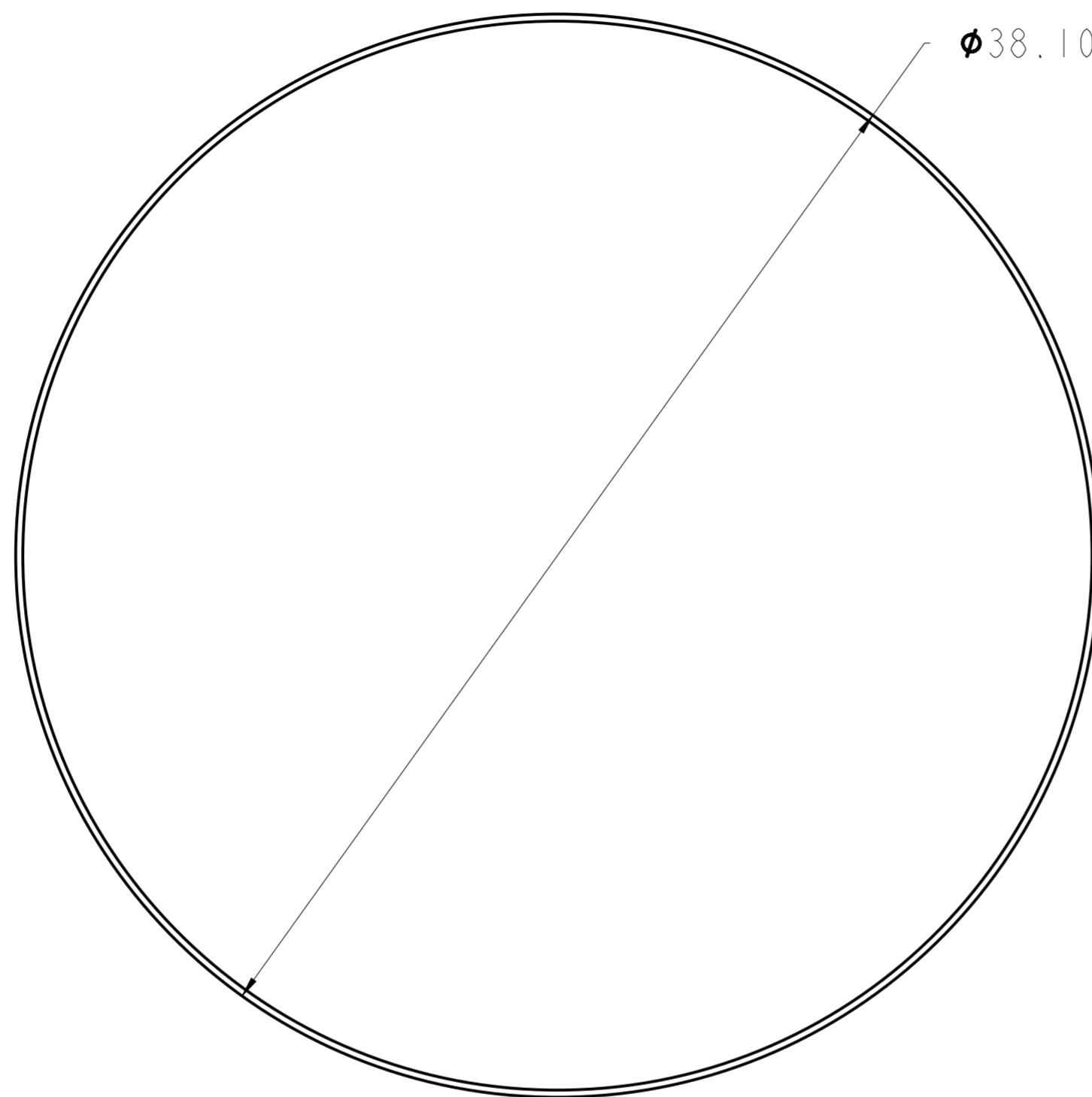


NOTES:

1. MATERIAL: CaF2
2. CLEAR APERTURE: 85%
3. PARALLELISM: (S1&S2) 3 ARC MIN
4. FLATNESS: (S1&S2) 2 WAVES PER INCH @ 633 nm
5. SURFACE FINISH: (S1&S2) 40/20
6. UNCOATED

| REVISION HISTORY | | | | |
|------------------|------|-----------------|----------|----------|
| REV | DCO | DESCRIPTION | DATE | INITIALS |
| A | 6016 | INITIAL RELEASE | 11/26/19 | BH |



REFERENCE ONLY
NOT FOR MANUFACTURING

| | | | | | |
|--|----------------|-------------------------------------|-----------------|---|--|
| UNLESS OTHERWISE SPECIFIED DIMENSIONS ARE IN MM. DECIMAL TOLERANCES ARE: .X ± 0.25 .XX ± 0.10 .XXX ± 0.025 .XXXX ± 0.013 ANGLES: ± 0.5° | | | | <small>PROPRIETARY INFORMATION THIS DOCUMENT CONTAINS PROPRIETARY INFORMATION OF LIGHTPATH TECHNOLOGIES AND IS NOT TO BE DISCLOSED OR REPRODUCED IN WHOLE OR PART, OR USED FOR MANUFACTURING FOR ANYONE OTHER THAN LIGHTPATH TECHNOLOGIES WITHOUT ITS WRITTEN CONSENT. NO RIGHT IS GRANTED TO DISCLOSE OR USE ANY INFORMATION CONTAINED IN SAID DOCUMENT.</small> | |
| DRAWN BH | | TITLE WINDOW - CaF2 - 38.1 X 6.0 | | | |
| MATERIAL CaF2 | SIZE A2 | DWG NO CF-W-38-6 - CAT | REV A | | |
| SOFTWARE Pro/ENGINEER | SCALE: 5.00 | THIRD ANGLE PROJECTION | SHEET 1 OF 1 | | |

DWG NO
CF-W-38-6
REV
A