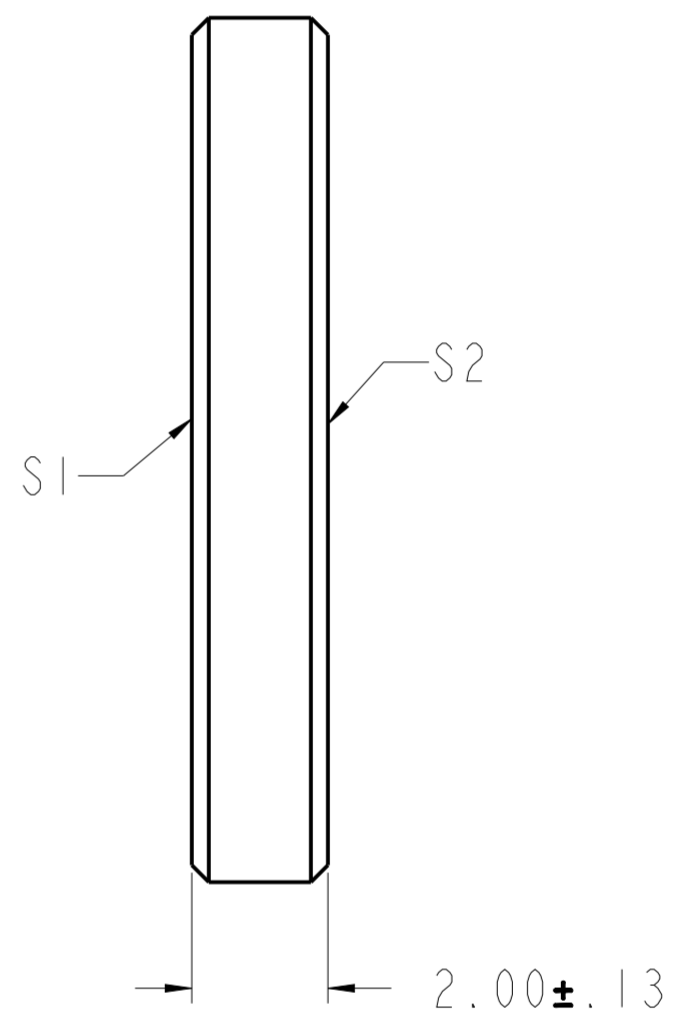
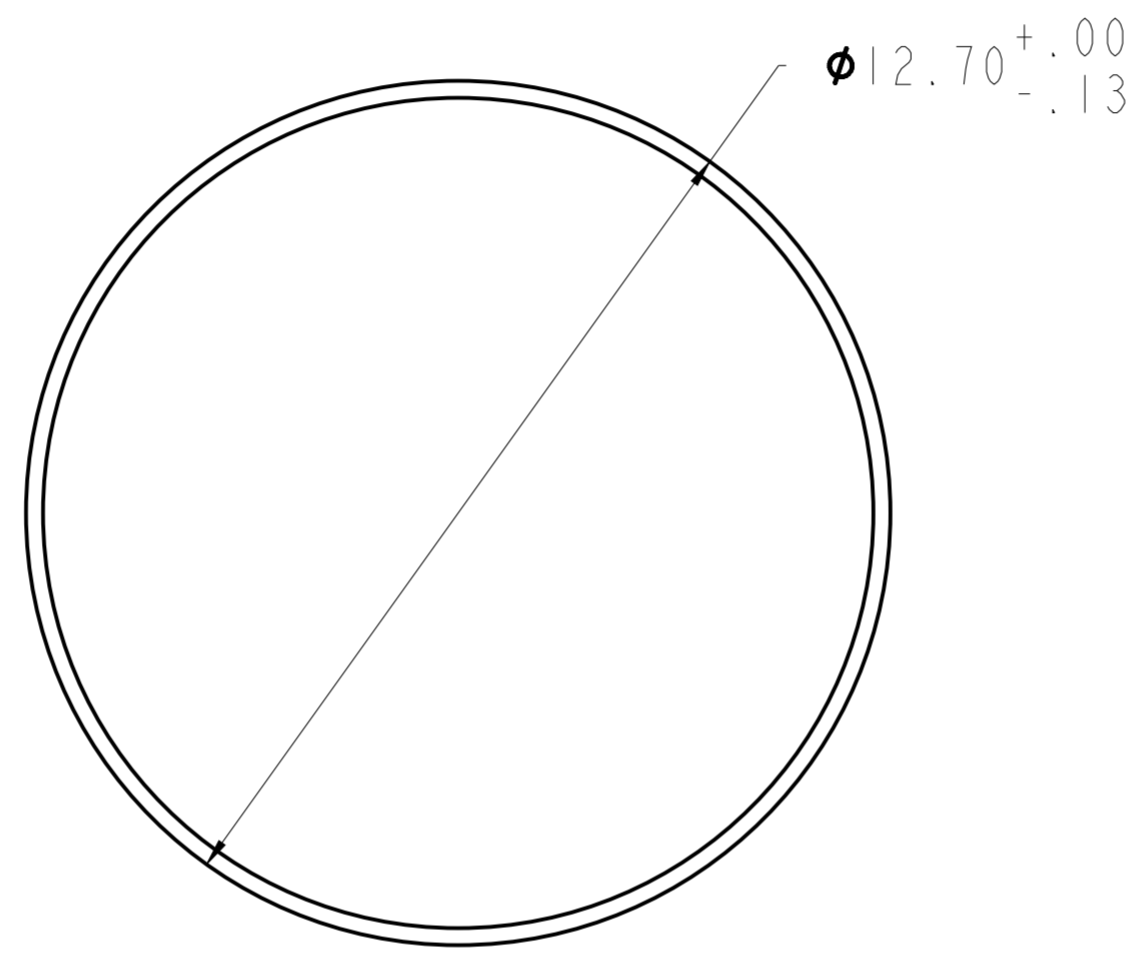


REVISION HISTORY				
REV	DCO	DESCRIPTION	DATE	INITIALS
A	6050	INITIAL RELEASE	12/17/19	YK

NOTES:

1. MATERIAL: QUARTZ
2. CLEAR APERTURE: 85%
3. PARALLELISM: (S1&S2) 3 ARC MIN
4. FLATNESS: (S1&S2) 1 WAVE PER INCH @ 633 nm
5. SURFACE FINISH: (S1&S2) 40/20
6. UNCOATED



REFERENCE ONLY
NOT FOR MANUFACTURING

UNLESS OTHERWISE SPECIFIED DIMENSIONS ARE IN MM. DECIMAL TOLERANCES ARE: .X \pm 0.25 .XX \pm 0.10 .XXX \pm 0.025 .XXXX \pm 0.013 ANGLES: \pm 0.5°		<p>THIS DOCUMENT CONTAINS PROPRIETARY INFORMATION OF LIGHTPATH TECHNOLOGIES AND IS NOT TO BE DISCLOSED OR REPRODUCED IN WHOLE OR PART, OR USED FOR MANUFACTURING FOR ANYONE OTHER THAN LIGHTPATH TECHNOLOGIES WITHOUT ITS WRITTEN CONSENT. NO RIGHT IS GRANTED TO DISCLOSE OR USE ANY INFORMATION CONTAINED IN SAID DOCUMENT.</p>		
DRAWN BH		TITLE WINDOW - QUARTZ - 12.7 X 2.0		
MATERIAL QUARTZ	SIZE A2	DWG NO Q-W-12-2 - CAT	REV A	
SOFTWARE Pro/ENGINEER	SCALE: 9.00	THIRD ANGLE PROJECTION	SHEET 1 OF 1	

REV A
 SH I
 DWG NO
 Q-W-12-2