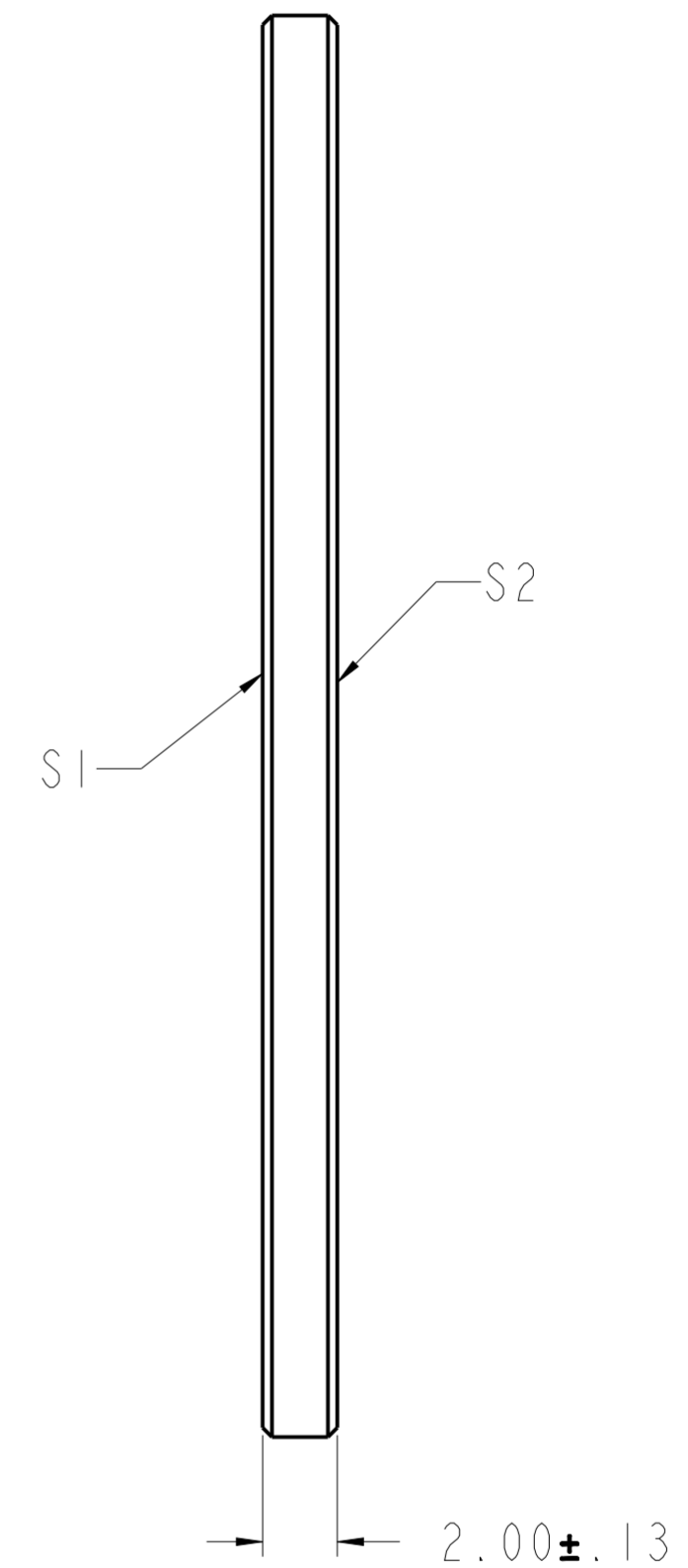
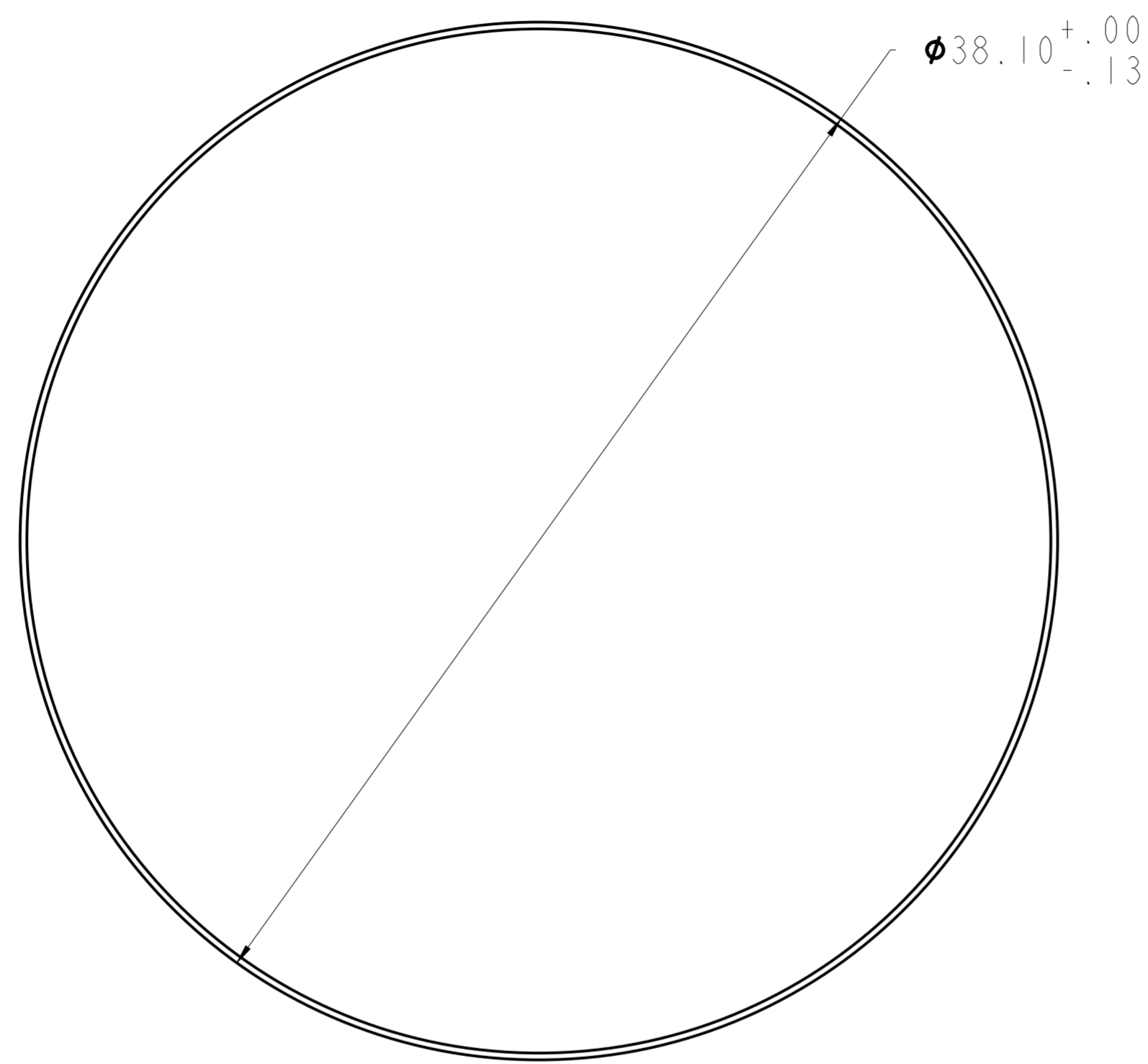



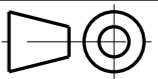
REVISION HISTORY				
REV	DCO	DESCRIPTION	DATE	INITIALS
A	6051	INITIAL RELEASE	12/26/19	YK

NOTES:

1. MATERIAL: Si
 2. CLEAR APERTURE: 85%
 3. PARALLELISM: (S1&S2) 3 ARC MIN
 4. FLATNESS: (S1&S2) 1/10 WAVE @ 10.6 μ m
 5. SURFACE FINISH: (S1&S2) 60/40
 6. COATED DLC-AR-SI-3-5
- S1: DLC
S2: AR



REFERENCE ONLY
NOT FOR MANUFACTURING

UNLESS OTHERWISE SPECIFIED DIMENSIONS ARE IN MM. DECIMAL TOLERANCES ARE: .X ± 0.25 .XX ± 0.10 .XXX ± 0.025 .XXXX ± 0.013 ANGLES: ± 0.5°		 ISPOPTICS LightPath		<small>THIS DOCUMENT CONTAINS PROPRIETARY INFORMATION OF LIGHTPATH TECHNOLOGIES AND IS NOT TO BE DISCLOSED OR REPRODUCED IN WHOLE OR PART, OR USED FOR MANUFACTURING FOR ANYONE OTHER THAN LIGHTPATH TECHNOLOGIES WITHOUT ITS WRITTEN CONSENT. NO RIGHT IS GRANTED TO DISCLOSE OR USE ANY INFORMATION CONTAINED IN SAID DOCUMENT.</small>	
DRAWN BH		TITLE WINDOW - DLC/AR COATED Si - 38.1 X 2.0			
MATERIAL Si	SIZE A2	DWG NO DLC35-SI-W-38-2 - CAT	REV A		
SOFTWARE Pro/ENGINEER	SCALE: 5.00	THIRD ANGLE PROJECTION 	SHEET 1 OF 1		

DWG NO
DLC35-SI-W-38-2